

A Type



C Type

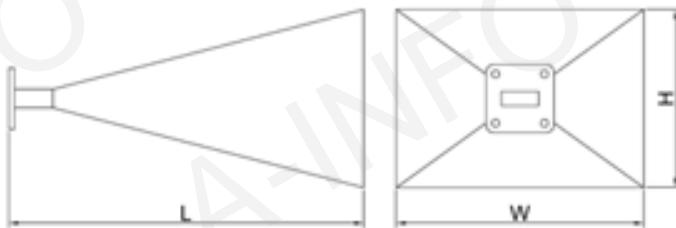


Technical Specification

Frequency Range(GHz)	8.2 - 12.4
Gain(dB)	25 Typ.
3dB Beamwidth(deg)	10 Typ.
Waveguide	WR90
Material	Al
Output	A Type: FBP100 / C Type: SMA-F or N-F
Size(mm) W x H x L	A Type: 244x204x640 / C Type: 244x204x678
Net Weight(Kg)	A Type: 1.75 Around / C Type: 1.80 Around

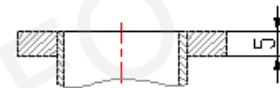
Outline Drawing (Size: mm)

A Type

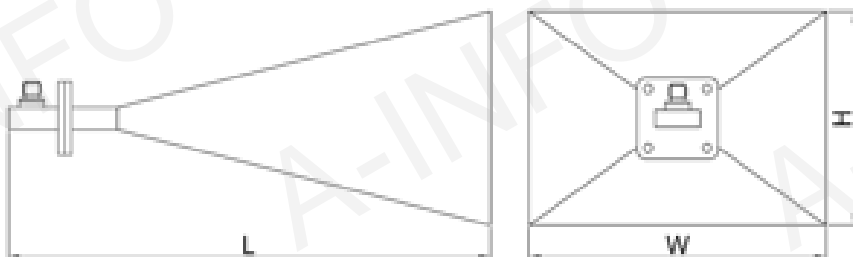


W x H x L: 244x204x640

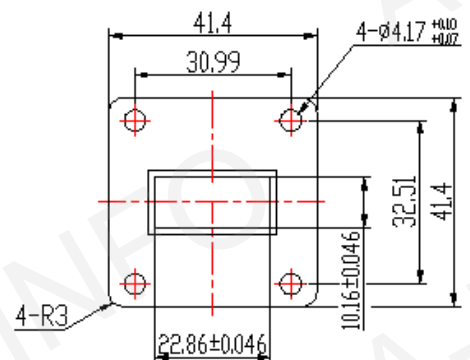
Flange Drawing



C Type



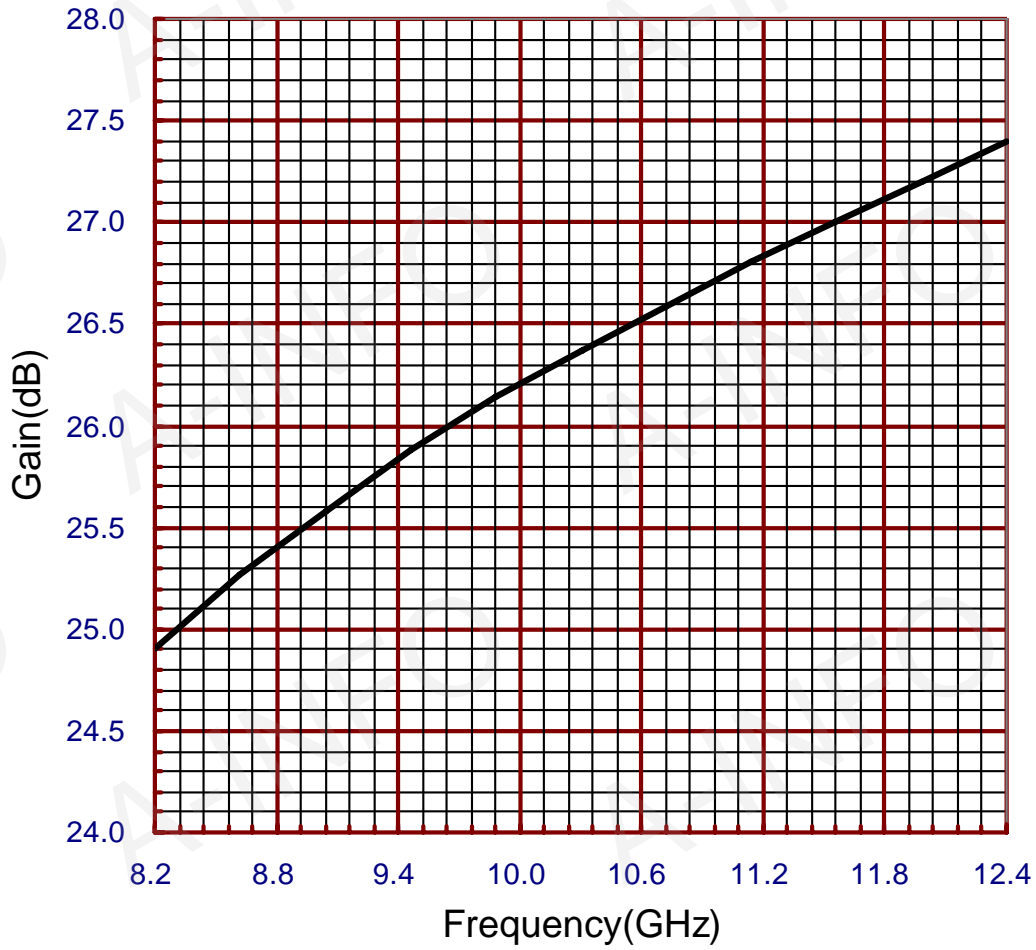
W x H x L: 244x204x678



FBP100

Test Results

Gain



F(GHz)	8.20	8.62	9.04	9.46	9.88	10.30	10.72	11.14	11.56	11.98	12.40
G(dB)	24.90	25.27	25.58	25.88	26.14	26.37	26.59	26.80	27.00	27.20	27.40