

Digital Air Data Computer

• Type AC32



AIRCRAFT INSTRUMENTS

General

REVUE THOMMEN is a leading manufacturer of Air Data Systems and aircraft Instruments used worldwide on a full range aircraft types from helicopters to corporate turbine aircraft and commercial airliners. The AC32 measures barometric altitude, airspeed and temperature in the atmosphere with integrated vibrating cylinder pressure sensors with high accuracy and stability for both static and pitot ports.

The THOMMEN AC32 Digital Air Data Computer exceeds FAA Technical Standard Order (TSO) and accuracy requirements.

The computed air data parameters are transmitted via the configurable ARINC 429 data bus. There are two ARINC 429 transmit channels and two receive channels with which baro correction can be accomplished also.

The AC32 meets the requirements for multiple platforms for TAWS, ACAS/TCAS, EGPWS or FMS systems.

It also supports the Air Data for enhanced safety infrastructure capabilities for Transponders and an ICAO encoded altitude output is also available as an option.

Its power supply is designed for 28 VDC. The low power consumption of less than 7 Watts and its low weight of only 2.2 lbs (1000 grams) have been optimized for applications in state-of-the-art avionics suites. The extensive Built-in-Test capability guarantees safe operation. The AC32 is designed to be modular which allows easy maintenance by the operator thanks to the RS232 maintenance interface.

The THOMMEN AC32 can be configured for different applications and has excellent hosting capabilities for supplying data to next generation equipment without altering the system architecture.

For customized versions please contact REVUE THOMMEN sales department.

ARINC 429 Parameters

Label 203	Pressure Altitude	-1,000	to	+53,000 feet
Label 204/220	Baro Corrected Altitude	-1,000	to	+53,000 feet
Label 205	MACH Number	0.200	to	0.999 MACH
Label 206	Computed Airspeed CAS	0/40	to	450 knots
Label 210	True Airspeed TAS	0/100	to	599 knots
Label 207	Max. Allowable Airspeed VMO	150	to	450 knots
Label 211	Total Air Temperature TAT	-60	to	+99 °C
Label 213	Static Air Temperature SAT	-99	to	+60 °C
Label 212	Vertical Speed	0	to	20,000 ft/min.
Label 215	Impact Pressure (corrected)	0	to	372.5 mbar
Label 217	Static Pressure (corrected)	0	to	64 inHg
Label 235/237	Baro Setting QNH	20.67	to	31.00 inHg
Label 234/236	Baro Setting QNH	700	to	1,050 mbar
Label 242	Total Pressure	135.5	to	1354.5 mbar
Label 270	Discrete Word #1			
Label 353	Indicated Airspeed IAS	0/40	to	450 knots
Label 377	Equipment Identifier	006		

Characteristics

Features

- Vibrating Cylinder Pressure Sensors
- Continuous Built-In-Test
- BIT Failure Memory
- RS232 Maintenance Interface
- ARINC 429 HIGH or LOW Speed

Signal Inputs

- Primary Power 28 VDC (<7 Watts)
- Emergency Power 28 VDC
- ARINC 429 Serial Data Bus, 2 Receive Channels
- TAT Probe 500 Ohm (ARINC 706-4)
(Optional 100 Ohm, EN 60751)

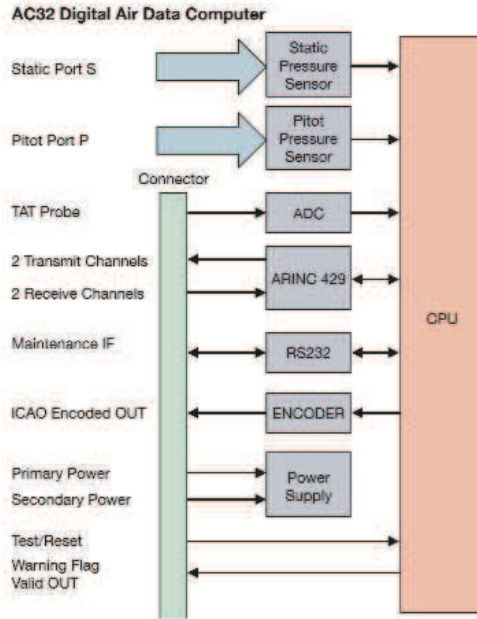
Signal Outputs

- Encoded Altitude ICAO (Gilham / Annex 10)
- Warning Flag Valid Output Signal 28 VDC
- ARINC 429 Serial Data Bus, 2 Transmit Channels

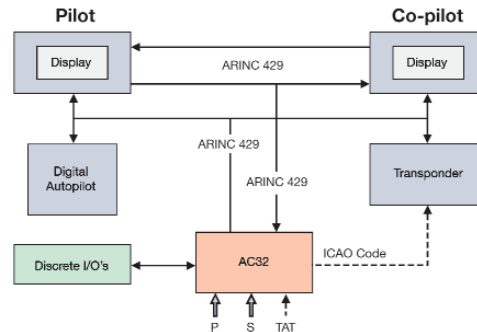
Operating Specifications

- Altitude Scale Error
 - 1,000 to 20,000 feet ± 10 feet
 - 20,000 to 30,000 feet ± 20 feet
 - 30,000 to 40,000 feet ± 30 feet
 - 40,000 to 53,000 feet ± 50 feet
- FAA TSO-C106
- FAA TSO-C88a
- RTCA/DO-178B Level A
- RTCA/DO-160D Env. Cat. [D2]BBB [(TB1) (TR)] / [(SL)(SM)]/[(UG)]XWFDZSZZAZZ [YY]M [A3J33]XAA
 - Operating Temperature -55 ... 70 °C
 - Storage Temperature -55 ... 85 °C
- Reliability: MTBF 21,900 h

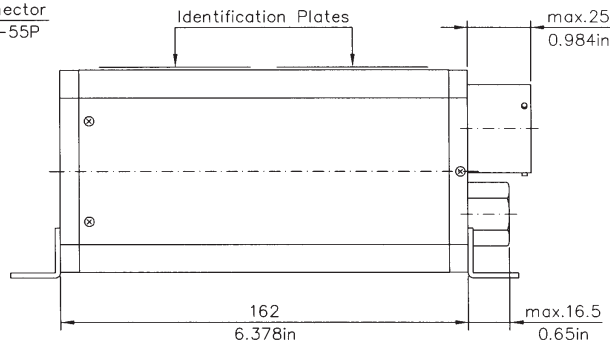
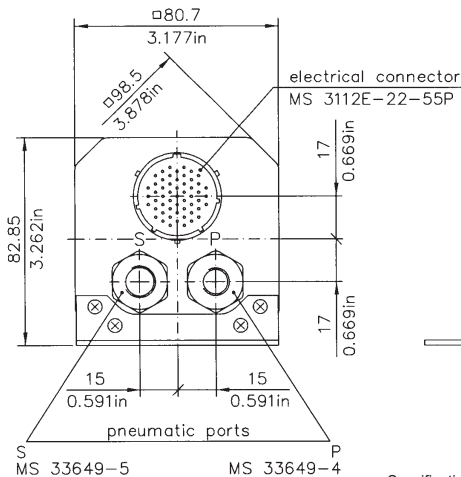
Internal Block Diagram



Data Communication Block Diagram



Mechanical Drawing



Specifications are subject to change without notice.



AIRCRAFT INSTRUMENTS

Please contact us for more information or for our complete documentation.

REVUE THOMMEN
Manufacturer of mechanical and electronic aircraft instruments used in business, commercial and military aviation.

REVUE THOMMEN is a certified company.

EASA Part 21 G + O
EASA Part 145
ISO 9001:2000

REVUE THOMMEN AG
CH-4437 Waldenburg
Switzerland
Phone +4161 965 22 22
Fax +4161 961 81 71

www.thommen.aero
info@thommen.aero