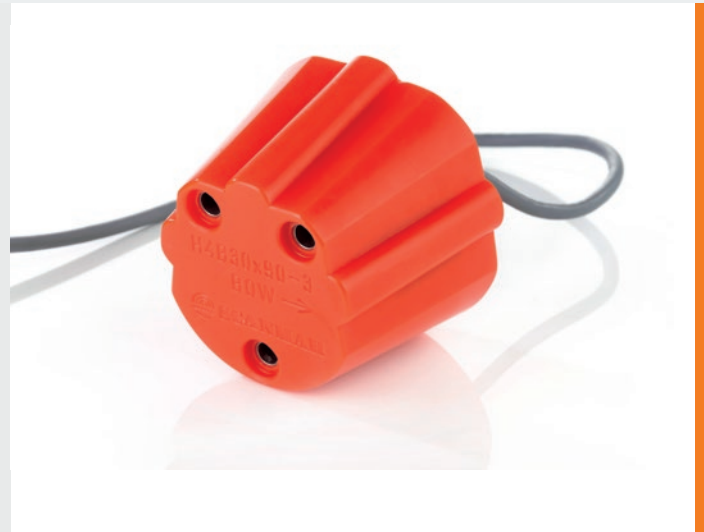


Hydrophones



Trawl Hydrophones

Scanmar's trawl hydrophones are developed in close cooperation with more than a thousand of fishing vessels, and are specifically designed for trawler applications.

The narrow vertical beam greatly improves the immunity to propeller noise, while the wide horizontal coverage simplifies operation.

A good hydrophone positioning is a key to a stable signal transfer between the sensor and the receiver; and there are several options here depending on the type of the vessel and purse seining. In general, a compromise is found between clear line of sight to the sensors, propeller noise, interference from other equipment and air bubbles under the hull.

For keeled vessels operating under difficult conditions, hydrophones can be mounted on the keel or in trunks specially produced for Scanmar.

In recent years it has become more common to install two sets of hydrophones (4 hydrophones in total- 2 in front and two back) on new vessels for full coverage. This is in order to optimize the signal reception in difficult cargo and/or catch conditions.

Our hydrophones are available in two variants:

- **Standard trawl hydrophone**
- **Standard trawl hydrophone with temperature sensor**
Under certain conditions, the temperature at the surface provides a good indication of the temperature profiles further down in the sea. By logging over time, this can give good estimates of the possible presence of fish.

Hydrophone for Purse Seines

This three-beam hydrophone is specifically designed for Purse Seine and Danish Seine fishing. The asymmetrical beam configuration enhances signal reception, while the narrow vertical beam pattern reduces effects of propeller noise.

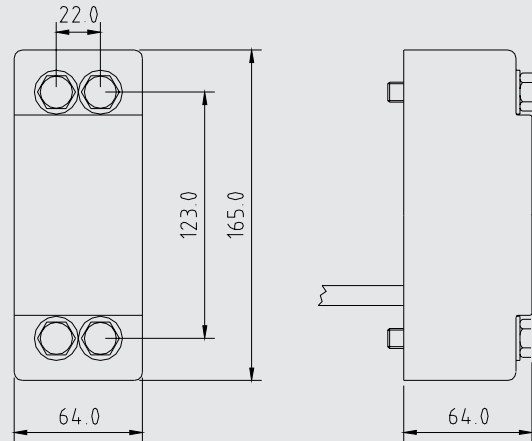
A 10 degree overlap of the three horizontal plane sectors provides a total exposure of 250 degrees and full coverage of all stages of the fishing operation.

Scanmar's modern bridge systems are programmed to automatically select the best signal quality from one of the hydrophones on the vessel, ensuring most accurate measurements.

Technical specifications

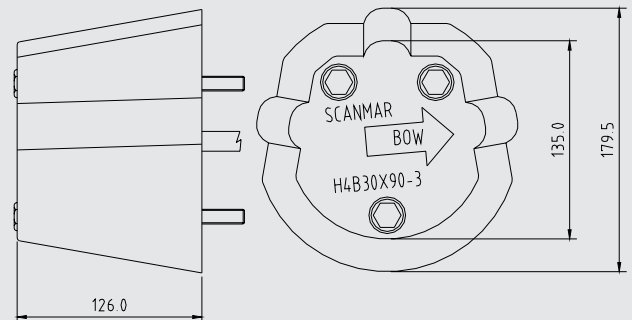
Hydrophones for Trawl

Frequency range	~ 40,8 - 44,8 kHz
Sensitivity	~ 147 dBV/ μ Pa
Beam width (3 dB)	Horizontal 50° / Vertical 30°
Inclination angle	Given by trunk TR-04 20°
Cable length	25 m
Length	65 mm
Width	64 mm
Height	64 mm



Hydrophones for Seines

Frequency range	~ 40,8 - 44,8 kHz
Sensitivity	~ 147 dBV/ μ Pa
Beam width (3 dB)	Horizontal total 250° / Vertical 30°
Inclination angle	Set by hydrophone 10°
Cable length	25 m
Length	179,5 mm
Width	177,5 mm
Height	126 mm



Trunk for both Seines & Trawl

Height	220 mm
Diameter	324 mm
Weight	~10 kg

